



2021

LED MaxFlood Light Series



FLO2



The manufacturer reserves all rights to make changes in the materials and components used in its products. All data is subject to change without prior notice. The tolerance for all the given data is 10%.

Product Description:

- MaxFlood Series is designed to meet the requirements of a wide range of floodlighting applications. It also includes all the necessary control features and interfaces to make it future-proof and even more efficient. MaxFlood Series lets you choose the exact number of lumens you need for your application. Incorporating extremely high-efficiency optics and state-of-the-art LEDs, it is a highly competitive solution offering an outstanding lux/euro ratio and energy savings of up to 50% (without the use of additional controls). The wide choice of optics ensures maximum application coverage. MaxFlood Series is easy to install – you simply plug it in and select the best option for your needs. Perfect for replacing conventional technology and enabling intelligent lighting control while retaining the same electrical installation and poles.

Features:

- Designed for 1:1 retrofit up to 1000 WHID
- Wide range of lumen packages between 10 klm and 85 klm (system)
- Wide range of control options, such as CLO, DALI, 1-10 V
- LEDs and optics deliver highest level of efficiency (up to 130 lm/W).
- Wide choice of optics to suit all applications - Sport and Areas lighting - Asymmetrical, Road and Symmetrical beams with or without louver (optional). New Asymmetrical Optic for Sport lighting (Tennis...)
- Optimized surge Protection (Up to 20 kV).
- IP66 and IK08 protection.
- Long lifetime: 100 Khrs (L80B10 at T a 25°C)

Application:

- Airports
- Harbors
- Large recreational sports facilities
- Industrial areas
- Roundabouts and motorway junctions



Specifications:

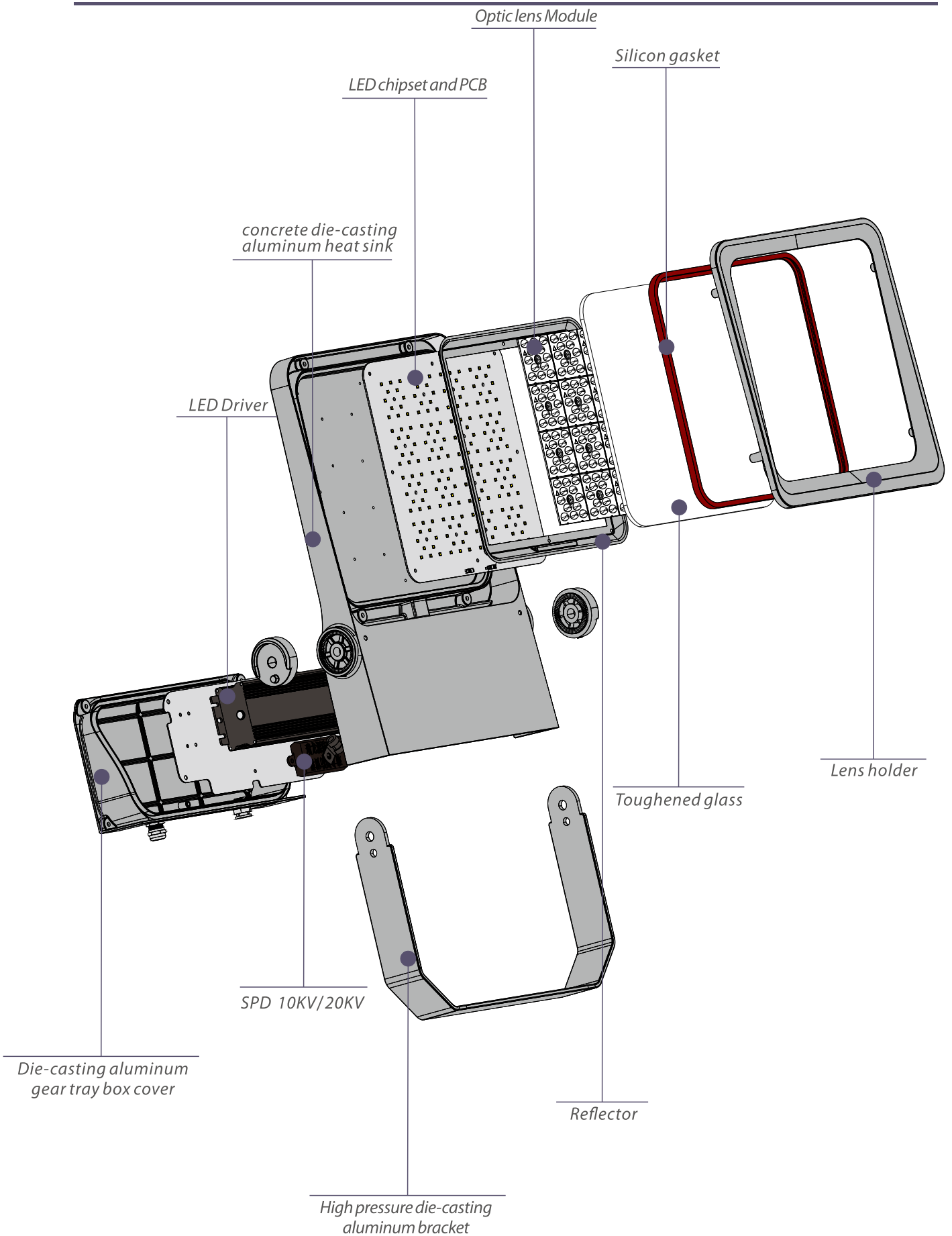
FL02



Model	FL02-S(Small version) FL02-M(Medium version) FL02-L(Large version)
Light source	Integral LED Module
Power	100W/200W/250W/300W/350W 400W/450W/500W/600W/650W (Other power upon request)
Luminaire flux	10000-26000Lm(Small version) 30000-52000Lm(Medium version) 60000-84000Lm(Large version)
Luminaire efficacy	110-140lm/W
CCT	4000K (3000K/5000K/5700K upon request)
CRI	> 70 > 80(upon request)
Lifetime	100,000 hours at 25°C ambient temperature
Operating temperature range	-30 to 45°C
Driver	Meanwell (Inventronics optional) Other brand of driver(upon request)
Electrical	Class I Input voltage: 90-305VAC/50-60Hz,170-305VAC/50-60Hz 10KV/20KV SPD
Dimming	Dali 1-10V PWM AstroDIM for autonomous dimming with five independent levels Smart control management system
Options	Surge protection device (up to 20KV) 0.5m External cable(Other length upon request) Smart control device Motion detection
Materials	Housing: ADC12 die-cast aluminum Cover: Tempered Glass Screws: 304 stainless screws
Color	Grey/ Black/ white
Tightness level	IP66
Impact Resistance	IK08
Standards & Certifications	CE ROHS LM80 LM79 TM21



Luminaire explosion diagram

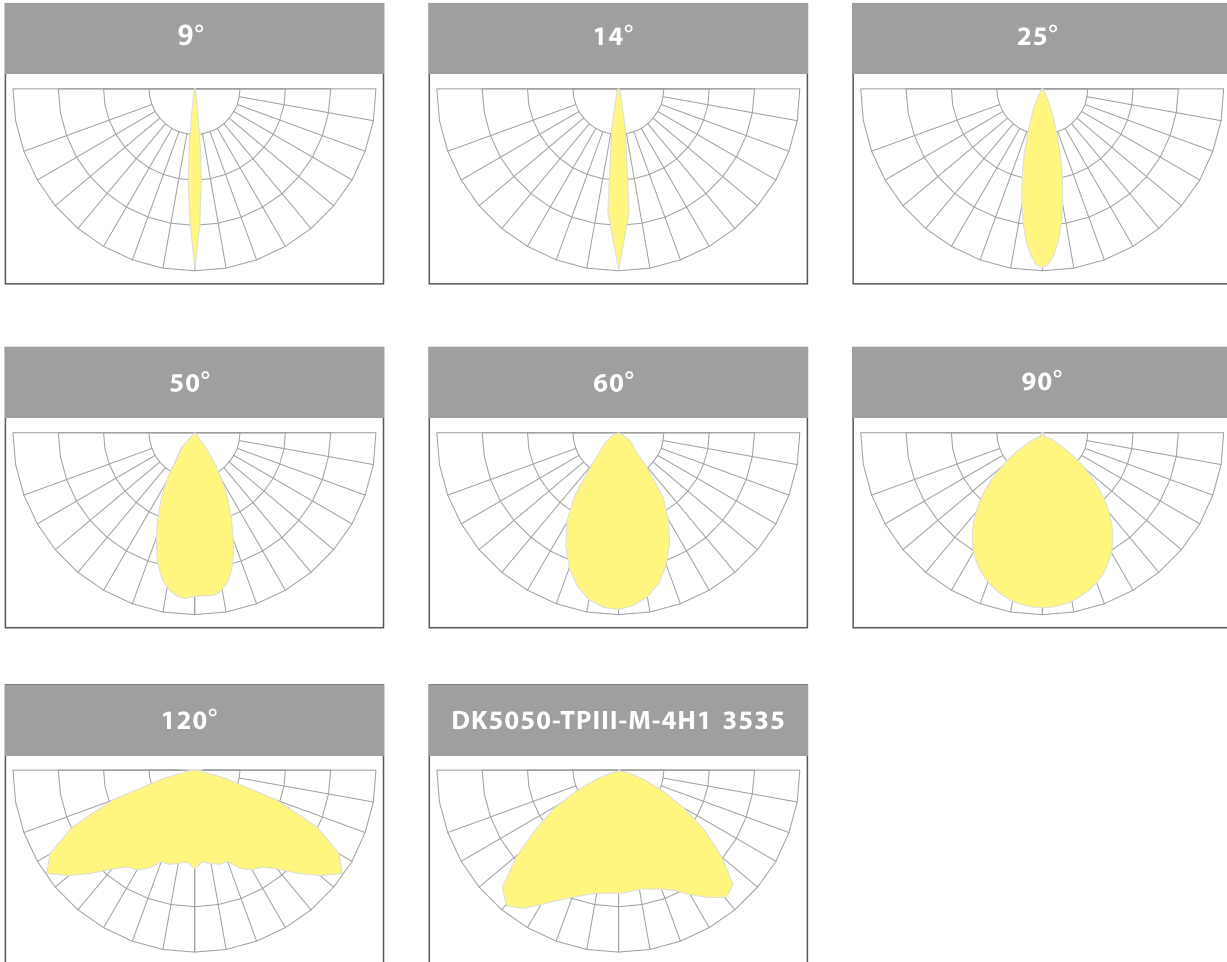




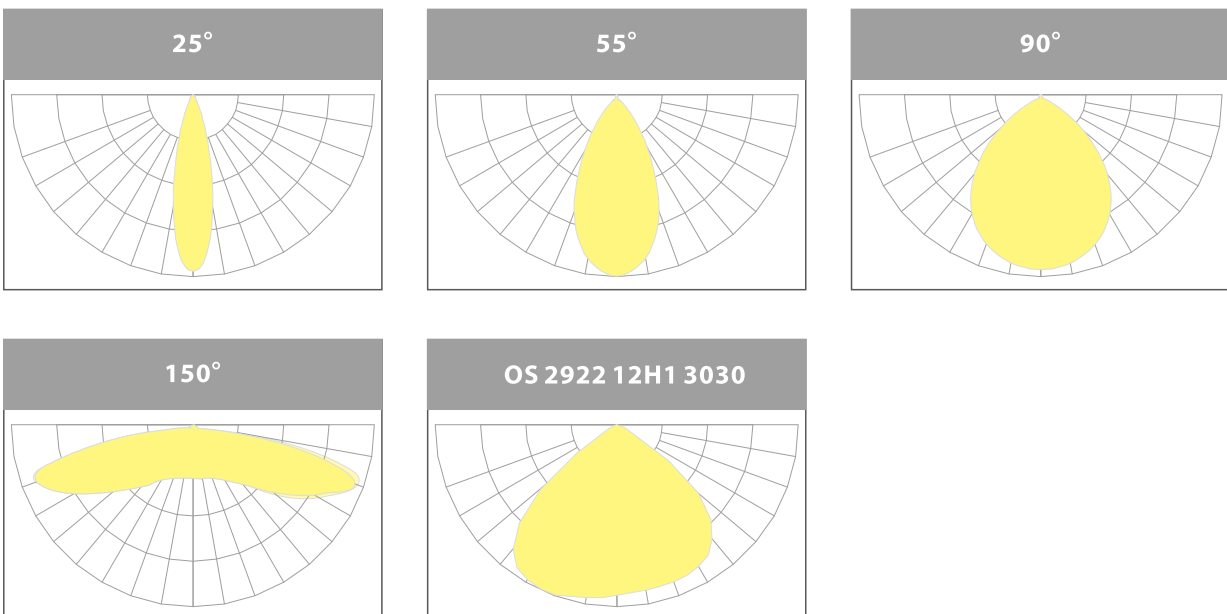
Luminous Intensity Distribution Diagram

The MaxFlood series LED flood light luminaire come with a robust optic compartment design, enable many different options of LED chipset and optic lens modules, which will help customers to always cope with the latest development of efficiency of led by using different type of led package, from 3535,3030, 5050.

Option 1: with 3535 LED package, basically the MaxFlood series could offer 7 standard light distribution curves as following

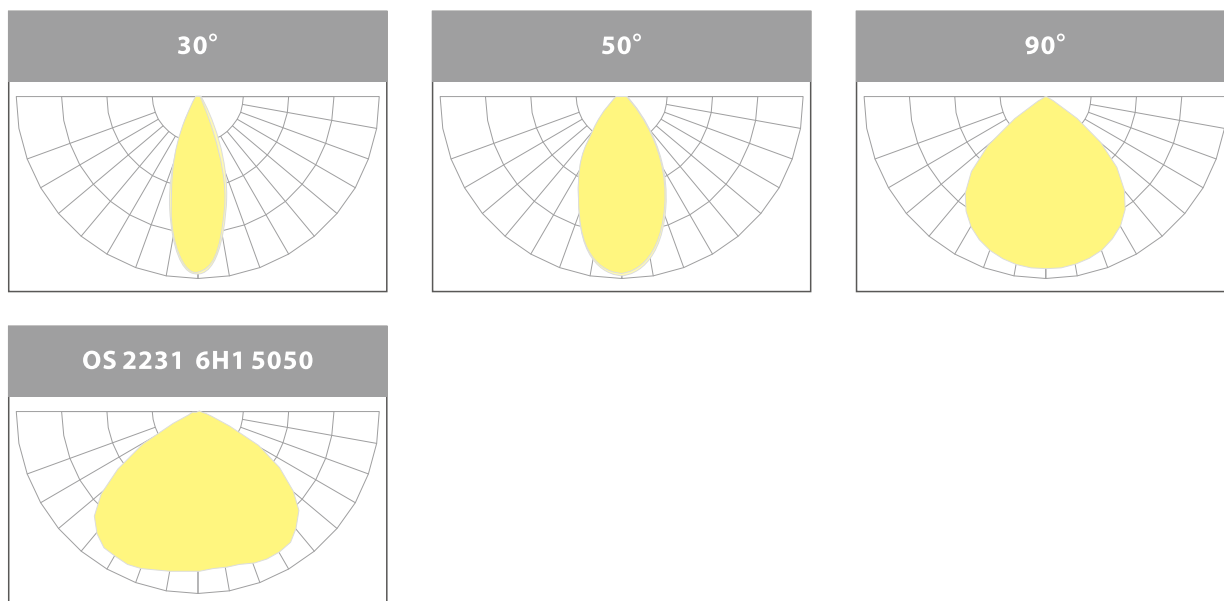


Option 2: with 3030 LED package, basically the MaxFlood series could offer 4 standard light distribution curves as following

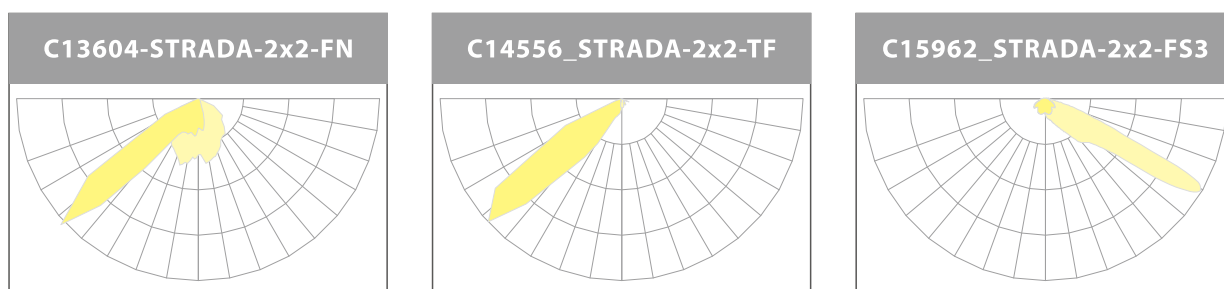




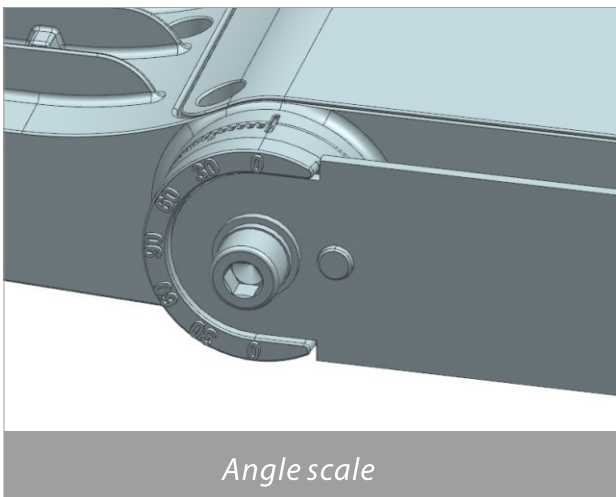
Option 3: with 5050 LED package, basically the MaxFlood series could offer 3 standard light distribution curves as following



Option 4: Available for LEDIL LENS, size 50x50mm, for example: STRADA-2X2 modules, STRADA-2X2CSP, STRADEKKA-8, STRADEKKA-16.

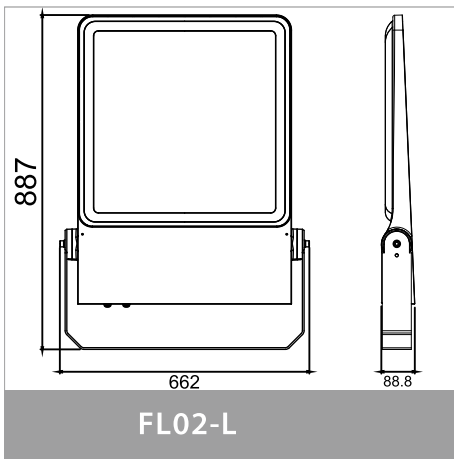
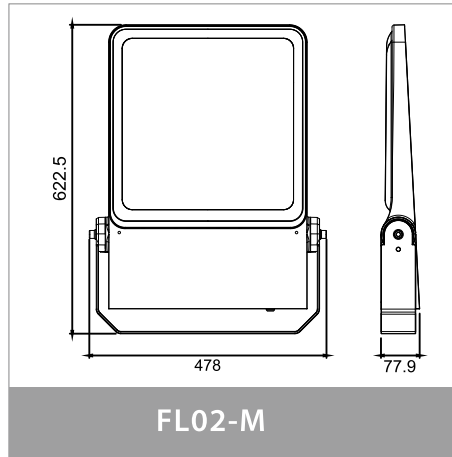
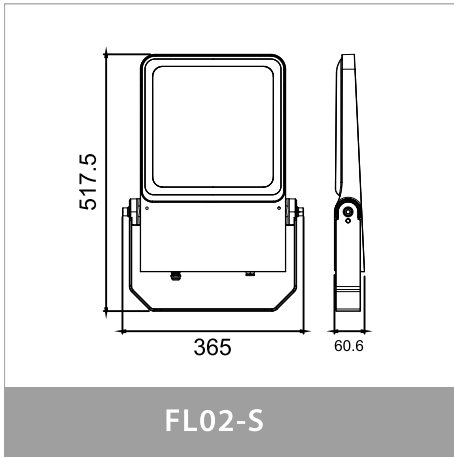


Pictures:





Product size:



Packaging:

Model	Carton Size(mm)	N.W.(Kg)	G.W.(Kg)
FL02-S	570x385x115MM	6.06	6.79
FL02-M	725x500x130MM	10.66	11.86
FL02-L	865x700x165MM	22.20	23.13

Warranty:

- 5 years limited warranty is standard on luminaire and components.